

FID BBI

Fachinformationsdienst
Buch-, Bibliotheks- und
Informationswissenschaft

HERZOG
AUGUST
BIBLIOTHEK

UNIVERSITÄTS
BIBLIOTHEK *ubl* LEIPZIG

DFG Deutsche
Forschungsgemeinschaft



Der FID für Buch-, Bibliotheks- und
Informationswissenschaft

Zusammenfassung VuFind® Summit Leipzig

30.09 & 01.10.24

Jean-Pascal Kanter
Technischer Projektkoordinator
M.Sc. (Maschinenbau)

Schnellüberblick (verkürzte Titel)

Tag 1:

- Demian Katz – State of the Project
- William Nass & Renè Stoltenberg
Multi-Instance Operation StaBi Berlin
- Duncan Peterson – Testing for Enhancing Search Results in Coop
- Maccabee Levine – Multi-Column Search Mode
- Clemens Kynast – user-centered development of a Discovery System
- Ere Maijala – Bootstrap 5 themes
- Ricardo Eito – Brun patent-data aggregation

Tag 2:

- Leander Seige – 10 Years of Finc
- Martin Weigelt – Von Eigenentwicklung zu VuFind
- Angela Oehler & Annete Kaufmann
Nutzungszentrierte Entwicklung
- Jannis Ohms – Anzeige elektronischer Dokumentenverfügbarkeit
- Anne Christensen – Lessons Learned from 30+ Discovery Projects
- Tilman Scheel – Chatbots vs. Discovery Systems
- Alexander Karim – Lukida-Kosmos

Lightning Talks

Schnellvorträge:

•Mario Trojan – Search Engine Optimization

•David Maus – Utilizing Laminas in VuFind®

Vorträge verfügbar auf Youtube



ubl **Universitätsbibliothek Leipzig**
@UniversitaetsbibliothekLeipzig · 348 Abonnenten · 112 Videos
Offizieller YouTube-Kanal der Universitätsbibliothek Leipzig (est. 1543). ...mehr
ub.uni-leipzig.de und 3 weitere Links
Abonnieren

Übersicht **Videos** Shorts Live Playlists

Neueste **Beliebt** Älteste

- VuFind® Leipzig 2024 Future Discoveries: Lightning Talks - Search Engine Optimization Recent Developments**
01.10.2024
Marie Toyon (Universitätsbibliothek Leipzig)
7:41
40 Aufrufe · vor 2 Wochen
- VuFind® Leipzig 2024 Future Discoveries: Panel Discussion**
01.10.2024
36 Aufrufe · vor 2 Wochen
- VuFind® Leipzig 2024 Future Discoveries: LIGHTNING TALK UTILIZING LAMINAS IN VUFIND®**
01.10.2024
David Maack (University Homburg)
6:25
13 Aufrufe · vor 2 Wochen
- VuFind® Leipzig 2024 Future Discoveries: Roadmapping Session**
01.10.2024
Domenico Espar (Villanova University)
51:08
26 Aufrufe · vor 2 Wochen
- VuFind® Leipzig 2024 Future Discoveries: Introduction into the Lukida Cosmos**
01.10.2024
Alexander Körner (C37)
23:53
18 Aufrufe · vor 2 Wochen
- VuFind® Leipzig 2024 Future Discoveries: Lessons learned from 30+ Discovery Projects with libraries**
01.10.2024
Annette Oehler, Arminia Koehnke (Universitätsbibliothek Leipzig)
29:53
53 Aufrufe · vor 2 Wochen
- VuFind® Leipzig 2024 Future Discoveries: World Cafe - Results**
01.10.2024
29 Aufrufe · vor 2 Wochen
- VuFind® Leipzig 2024 Future Discoveries: The Time of Search is Over (mostly)**
01.10.2024
Thomas Schmalz (Abnott-Gemeinschaft)
26:40
46 Aufrufe · vor 2 Wochen

<https://www.youtube.com/@UniversitaetsbibliothekLeipzig/videos>

Folien verfügbar auf vufind.org

vufind
Search. Discover. Share.

About Features Downloads Getting Started Documentation Events Support GitHub

Love VuFind®? Consider becoming a [financial supporter](#). Your support helps build a better VuFind®!

You are here: [start](#) » [community](#) » [conferences](#) » [summit_2024](#)

VuFind® Summit 2024

Dates and Location

This year's VuFind® Summit was held at the University of Leipzig on September 30 and October 1.

Video Recordings

Video recordings are available on YouTube: [VuFind® Leipzig 2024 Talks on YouTube](#)

Many VuFind®-related recordings can also be found in the [WOLFcon 2024 YouTube playlist](#); while WOLFcon was not the official home of the Summit for 2024, it still included a lot of relevant content and was held around the same time.

Conference Planning Document

See the [2024 Summit: Roadmapping](#) page for outcomes and notes.

Schedule

See the [the conference site](#) for full details.

Detailed Talk Descriptions

DAY ONE: MONDAY, September 30, 2024

Keynote | Prof. Dr. Sören Auer, TIB Hannover - Towards Neuro-Symbolic Scientific Discovery with Knowledge Graphs and Generative AI

[Slides](#) [Video](#)

Table of Contents

- VuFind® Summit 2024
 - Dates and Location
 - Video Recordings
 - Conference Planning Document
 - Schedule
 - Detailed Talk Descriptions
 - Keynote | Prof. Dr. Sören Auer, TIB Hannover - Towards Neuro-Symbolic Scientific Discovery with Knowledge Graphs and Generative AI
 - Opener | Demian Katz, VuFind® - VuFind®: State of the Project
 - TALK 1 (ENG) | William Nass / René Stoltenberg, SBB SPK Berlin - Lots of requirements, one software The VuFind® multi instance operation of the Staatsbibliothek Berlin
 - TALK 2 (ENG) | Duncan Paterson / Annette Kaufmann, FID Asien / SBB SPK - Is this Really Relevant? Browser Based Testing for Enhancing Search Results Collaboratively
 - TALK 3 (ENG) | Maccabee Levine, Lehigh - New Capabilities in VuFind® Multi

https://vufind.org/wiki/community:conferences:summit_2024

Einteilung – Erfahrungsberichte:

William Nass & Renè Stoltenberg – Multi-Instance Operation StaBi Berli

Clemens Kynast – user-centered development of a Discovery System

Ricardo Eito – Brun patent-data aggregation

Leander Seige – 10 Years of Finc

Martin Weigelt – Von Eigenentwicklung zu VuFind

Angela Oehler & Annete Kaufmann – Nutzungszentrierte Entwicklung

Jannis Ohms – Anzeige elektronischer Dokumentenverfügbarkeit

Duncan Peterson – Testing for Enhancing Search Results in Coop

Anne Christensen – Lessons Learned from 30+ Discovery Projects

Alexander Karim – Lukida-Kosmos

Mario Trojan – Search Engine Optimization

David Maus – Utilizing Laminas in VuFind®

Einteilung – Sonstige:

Vorstellungen

Demian Katz – State of the Project

Ere Maijala – Bootstrap 5 themes

Maccabee Levine – Multi-Column Search Mode

Argumente

Tilman Scheel – Chatbots vs. Discovery Systems

Ere Maijala, The National Library of Finland

Bootstrap 5 based themes in VuFind®

- Nur noch reines CSS, kein SCSS mehr
- Aber zur Verfügung stellen einer Kompatibilitäts-Schicht
- Neues Font Awesome
- Header.phtml muss angepasst werden
- Veränderte Daten tags (von data-target zu data-bs-target)
- Geplanter Release in VuFind® 10.1
- Zwingender Wechsel zu VuFind® 11

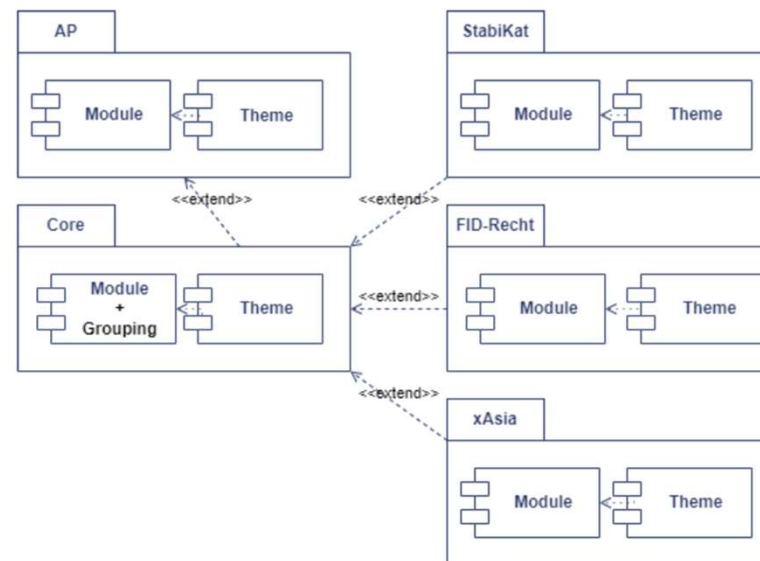
Schnelle Bilder

Staatsbibliothek Berlin

Multi Instance Operation

Dealing with external modules
Grouping module

- Groups results by a Solr field
- Adapted the logic in our module
- Not in production use yet



Maccabee Levine

New Capabilities in VuFind® Multi Column Combined Search Mode

The screenshot displays the ASA - Library Catalog search results for the query "chemistry". The interface is organized into three main columns. The left column, titled "Books", shows two results: "Inorganic chemistry : metal carbonyl chemistry" (published 1977) and "International Conference on Chemistry and Chemistry Education" (published 2023). The middle column, titled "Articles", shows three results: "Industrial Prep_Volume Five_Senior Year--English, Chemistry, Social Studies, and Occupational Relations" (2024), "Experimental parkinson models and green chemistry approach" (2024), and "Reading children's teeth to reconstruct life history and the evolution of human cooperation and cognition: The role of dental enamel microstructure and chemistry" (2024). The right column, titled "Can't Find It?", provides a link to 72,555 results found at PALCI EZBorrow libraries and offers suggestions for related searches. At the bottom right, there is a "Get Expert Help from a Librarian" section with a "CHAT WITH US" button and a "SURVEY" button.

Search Results - chemistry : LI

vufind9-test.cc.lehigh.edu/asa/Combined/Results?lookfor=chemistry&type=

LEHIGH UNIVERSITY Library & Technology Services ASA - Library Catalog

LTS Home Login Language Help Course Reserves

All Results Books Articles Journals Videos Special Collections Government Info Browse Alphabetically

chemistry Find

Search Results - chemistry



Jump to: Books (28,661) Articles (14,656,231) Databases (6) Journals (1,242) Videos (181) Special (1,155) Gov (929) More (37)

Books

All Book results

print books, e-books, and audiobooks

Showing 1 - 3 results of 28,661




-  **Inorganic chemistry : metal carbonyl chemistry.**
Published 1977
"...Topics in current chemistry ..."
Call Number: Electronic book
Located: Electronic
[Available to Lehigh users via SpringerLink](#)
eBook
-  **International Conference on Chemistry and Chemistry Education.**
by Shidig, Ari Syahidul
Published 2023
Table of Contents: "...Intro -- International Conference on Chemistry and Chemistry Education -- Preface -- Table o..."
Call Number: Electronic book
Located: Electronic
[Available to Lehigh users via Ebook Central](#)
eBook

Articles

All Article results

full-text articles

Showing 1 - 3 results of 14,656,231

-  **Industrial Prep_Volume Five_Senior Year--English, Chemistry, Social Studies, and Occupational Relations.**
Page Count: 329
2024
[View full text at ERIC](#)
-  **Experimental parkinson models and green chemistry approach.**
Page Count: 17
2024 Academic Journal
[View full text at ScienceDirect](#)
[Linked Full Text](#)
-  **Reading children's teeth to reconstruct life history and the evolution of human cooperation and cognition: The role of dental enamel microstructure and chemistry.**
2024 Academic Journal
[View full text at ScienceDirect](#)

Can't Find It?

72,555 result(s) found at PALCI EZBorrow libraries.

- [Chemistry : reading and writing the book of nature /](#)
- [Chemistry /](#)
- [Chemistry : experiment and theory /](#)
- [More results...](#)

[Get other books and articles quickly.](#)

Get Expert Help from a Librarian

[SURVEY](#)

[CHAT WITH US](#)

Was verpasst wurde

- Direkte Gespräche mit Fachkollegen, bspw. Demian Katz
- Fragen zu den Vorträgen
- Catering vor, während und nach den Vorträgen
- Gemeinsames Abendessen
- Die Gelegenheit selber Vorträge zu halten

Das wäre alles.